

Fig. 9

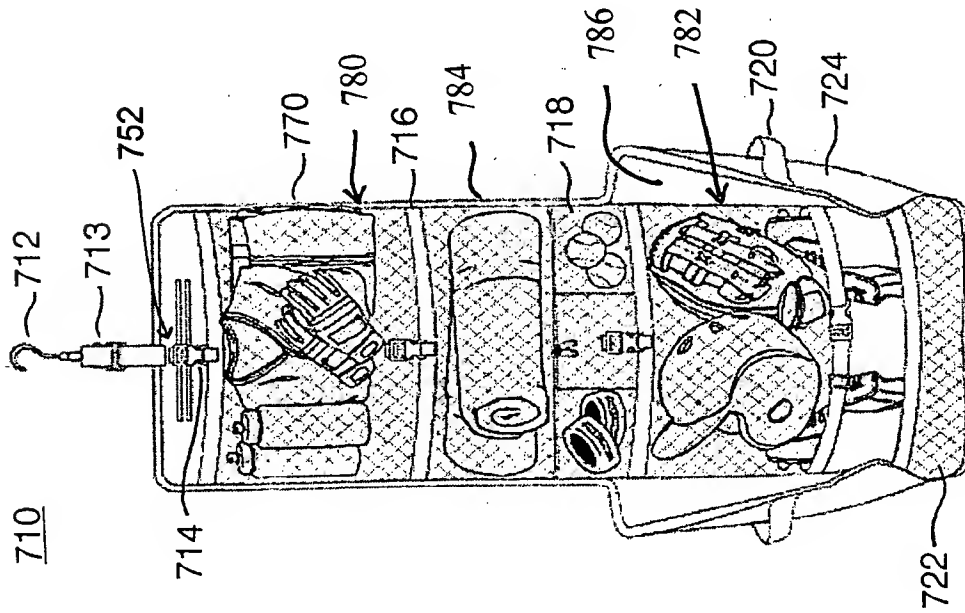


Fig. 8

OIPF
MAR 31 2003
PATENT & TRADEMARK OFFICE

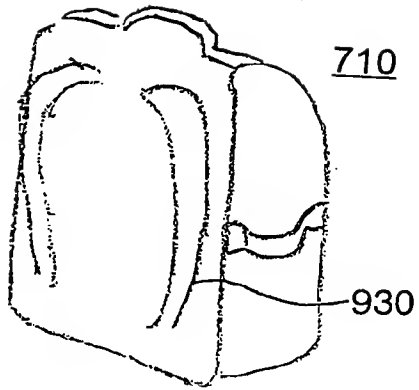


Fig. 20

OIPF
MAR 31 2003
PATENT & TRADEMARK OFFICE

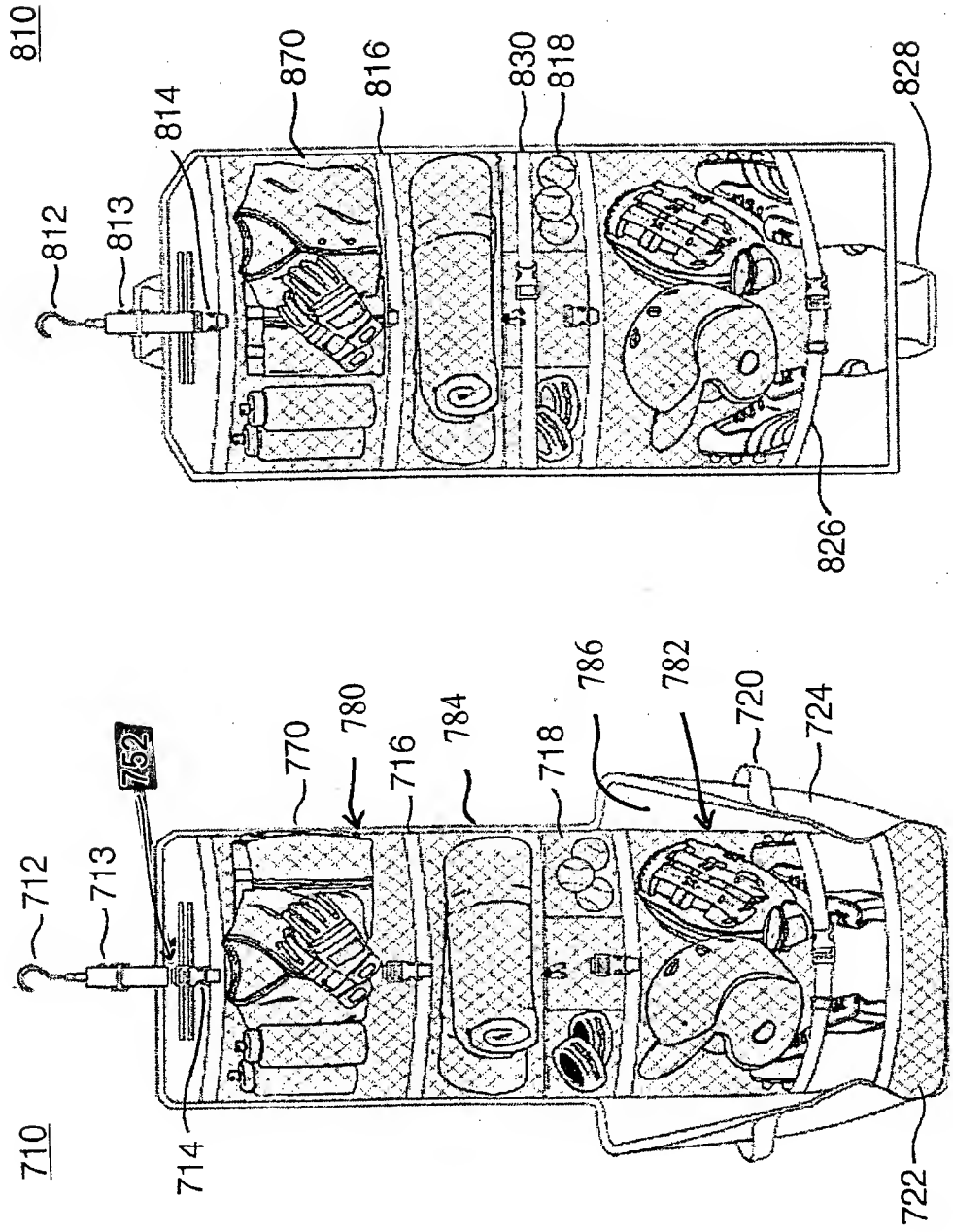


Fig. 8

Fig. 9